

Ease of build	Easy
-partscount	Medium
-density	Medium
Parts sourcing	Easy
Enclosure fitting	Easy
Debugging level	Easy

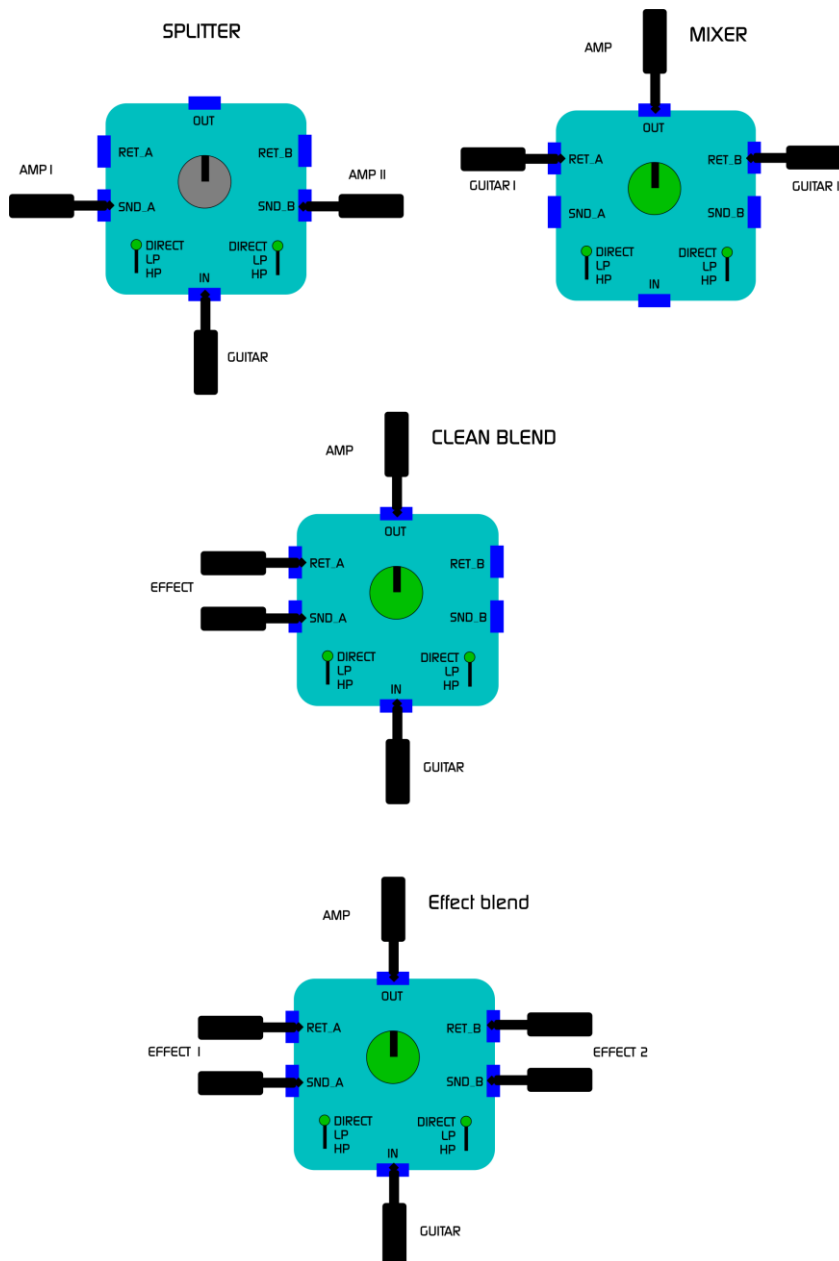
Mad BOX V3.2

Splitter and Mixer circuit from the Pro-cessor

GENERAL

A multipurpose unit for your pedalboard. Can be used as:

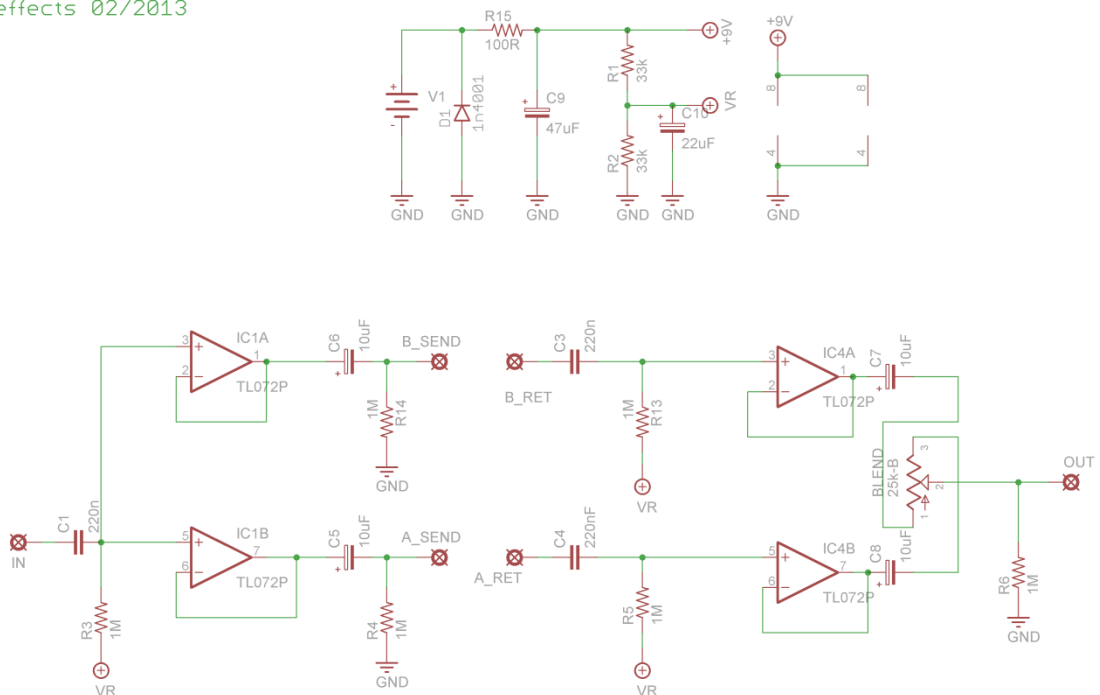
- signal splitter
- signal mixer
- two parallel effect-loops (Blend)
- clean blend (one side from effect other side direct)



MadBox is a reduced Pro-cessor without active filters and can be used in a multitude of ways.

Schematic

Pro-cessor V3.0 - w/o filters
 (c) TH custom effects 02/2013

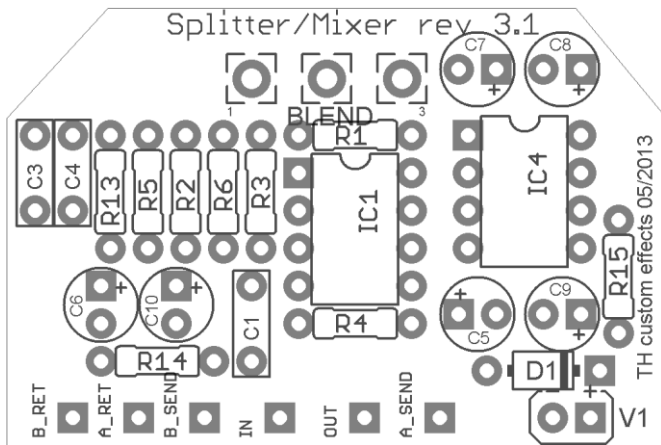


Bill of Materials

	Device#	Qty	Value	Comment
Resistors	R1, R2	2	33k	
	R3, R4, R5, R6, R13, R14	6	1M	
	R15	1	100R	
	Capacitors	C1, C3, C4	3	220n
	C5, C6, C7, C8	4	10uF	
	C9	1	47uF	
	C10	1	22uF	
Pots	BLEND	1	25k-B	linear
Diodes	D1	1	1n4001	
ICs	IC1, IC2	2	TL072P	Use Burr Brown OPA2134 for extra low noise

Building

Start populating resistors and diode first, then IC sockets and capacitors. Last mount the BLEND pot from the backside.



Finally

You now have made a very universal circuit which can be used in many ways and applications.

Disclaimer & License

PCBs purchased from TH custom effects are intended for DIY / non-commercial use only. It is not allowed to redistribute the PCBs and artwork from this document. However, you can use these instructions and PCBs to build and sell your own product based on PCBs ordered from TH custom effects.