

# OPTOTRONIC SWITCH V1.0

## Opto-Bypass

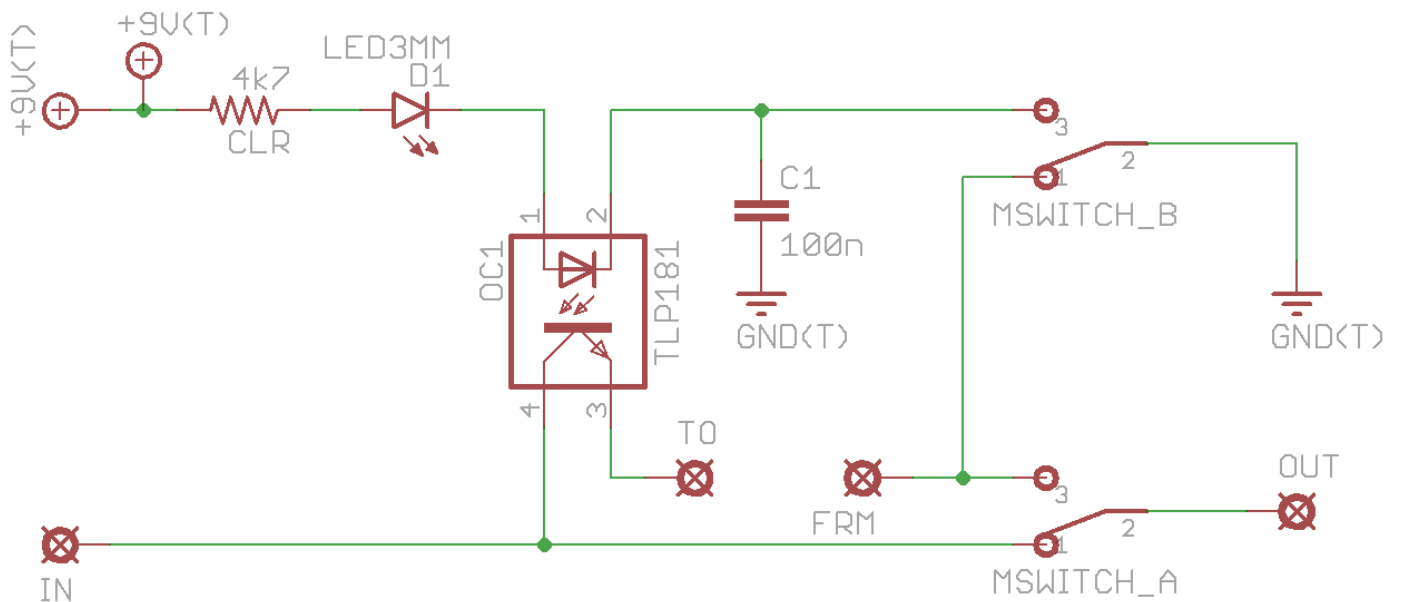
### OVERVIEW

True-Bypass with 2PDT switch only

### GENERAL

This is a Voodoo®-Style bypass in a very small form factor. Just the size of the switch itself.

### SCHEMATIC



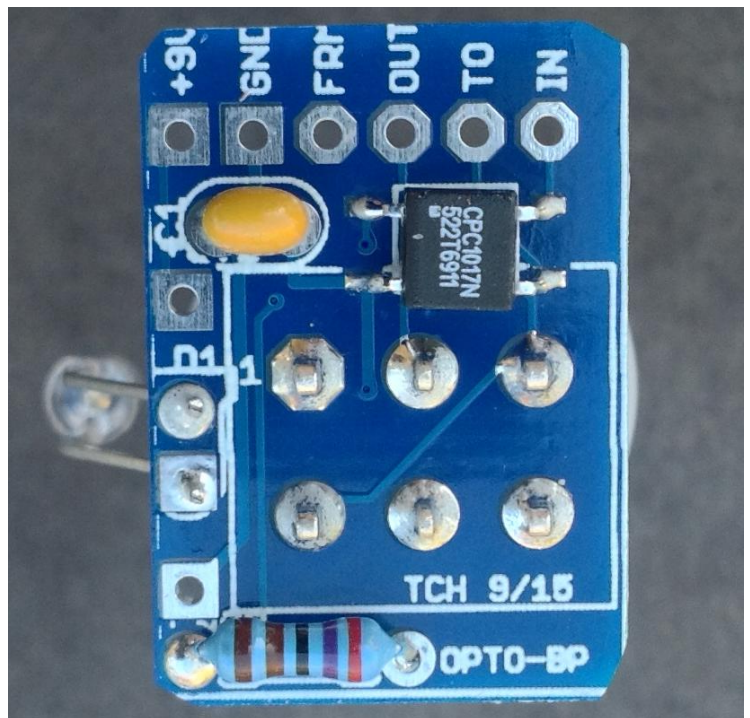
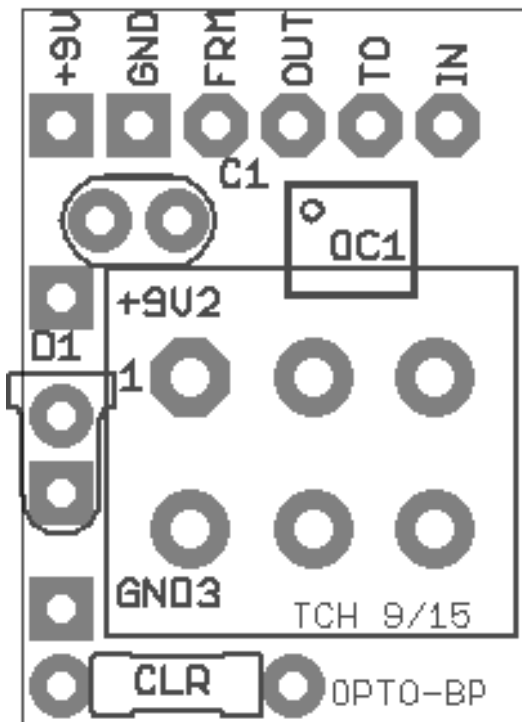
OpticalBypass V1.0  
 (c) 08/2015 TH custom effects

## BILL OF MATERIALS

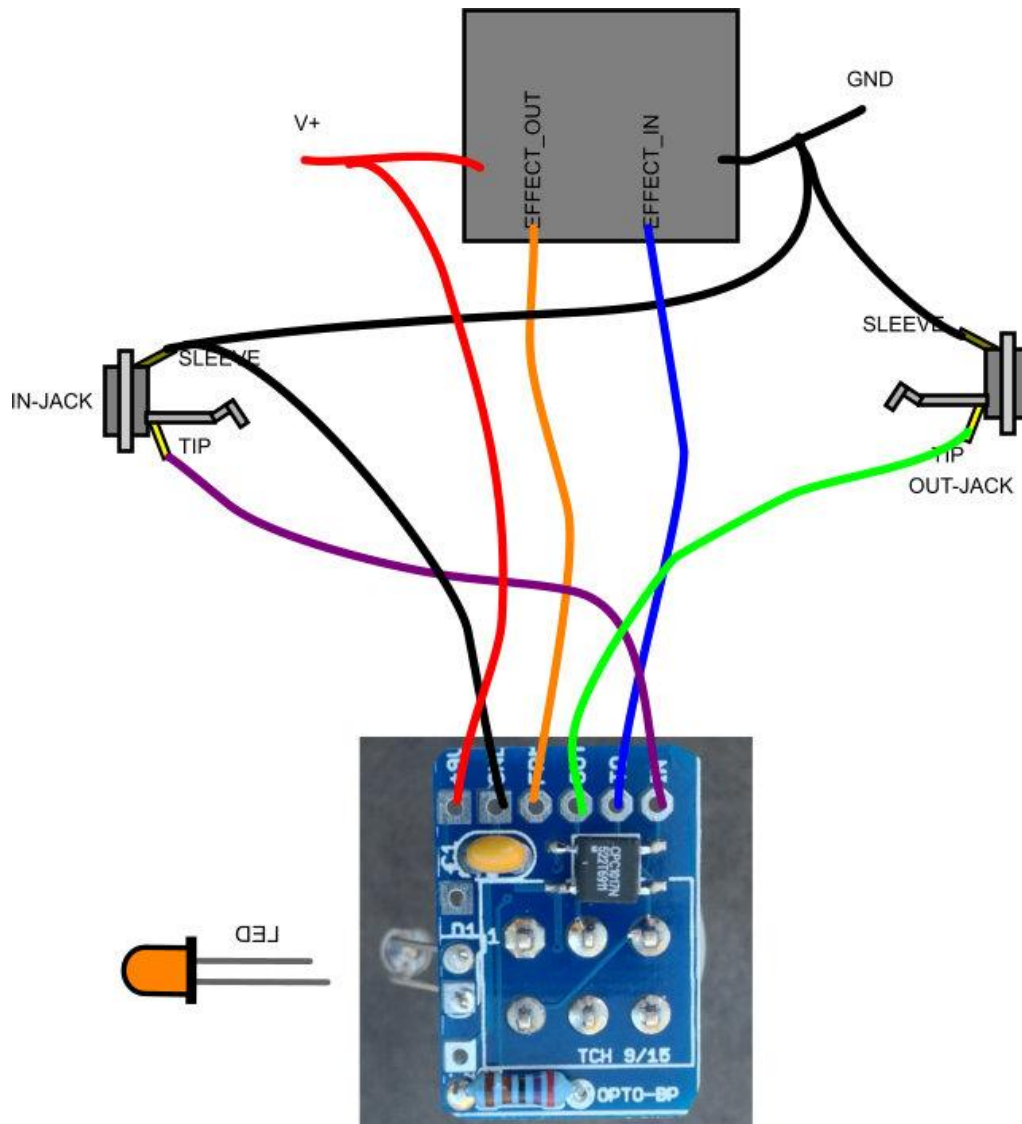
	Parts	Qty	Value	Description
<b>Resistors</b>	R1	1	3k3*	*test with your LED for brightness
<b>Capacitors</b>	C1	1	100nF	MLCC 2.5mm spacing
<b>Diodes</b>	LED	1	LED 3mm/5mm	color and type of your choice
<b>Other</b>	OC1	1	CPC1017	Optocoupler
	Switch S1	1	DPFT-latching	Alpha or Tayda

## BUILDING

Populate the optocoupler first [▲Align the marking on the optocoupler with the circle on the silkscreen], then the capacitor and the resistor. Put in the switch from the other side as shown below. Last solder the LED. The long leg goes into the square hole.



## WIRING



## FINALLY

This little tool fits almost anywhere. Replace your noisy 3PD!

## DISCLAIMER & LICENSE

PCBs purchased from TH custom effects are intended for DIY / non-commercial use only. It is not allowed to redistribute the PCBs and artwork from this document. However, you can use these instructions and PCBs to build and sell your own product based on PCBs ordered from TH custom effects.