

2PDT Relais Module V1.0a

Ease of build	Easy
-partscount	Low
-density	High

Overview

The relay switching module is a preassembled and tested module that can replace a 2PDT or SPST switch or be used for your new pedal.

- Power should be 9V but can be used for 12V as well.
- A momentary switch (standard open) will be used

General

The preassembled module makes it easy for you to wire substitute mechanical 2PDT or SPST switches.

1. More reliable than mechanical switches
2. Faster (quieter) switching
3. No crunching noise when you use a soft switch
4. Should NOT run on battery
5. May not be suitable for negative powered effects like Fuzz

Bill of materials

Parts	Parts	Qty	Value	Description
	SW	1	Momentary switch	Standard open
	CLR	1	Resistor 1/4W 1k5-10k	Choose what works best with your LED
	LED	1	3/5mm LED of your choice	

Building

The module is ready-to-use. You just need to solder the current limiting resistor for the LED. We deliver 2k7 which should be ok for most LEDs but you are free to test and use any other resistor that leads to the brightness you want.

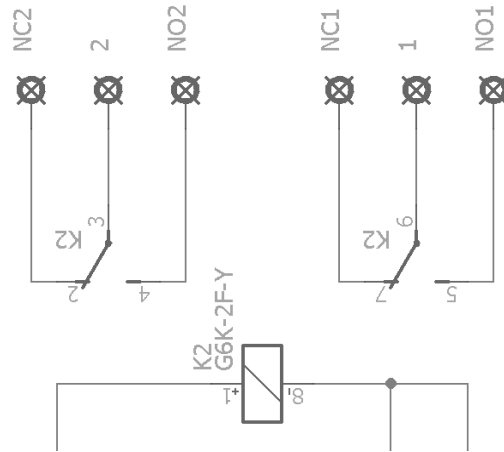
Finally

This is a really easy way to wire your pedal and reduce switching noise as well as making it very reliable.

Wiring

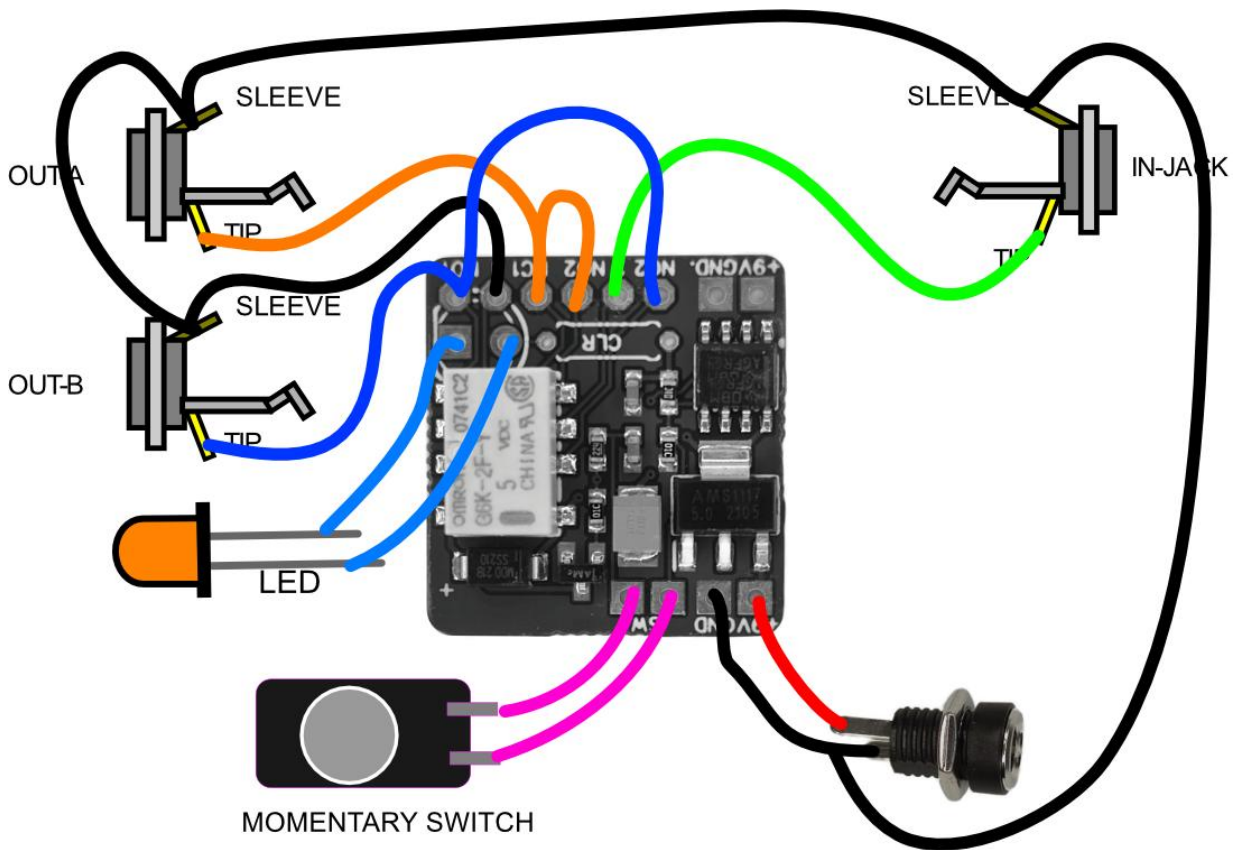
all switch contacts are accessible, so you have total freedom to use them. "off" you have NC – normally closed , NO – normally open. When "on" all NO are closed and all NC are open.

2PDT

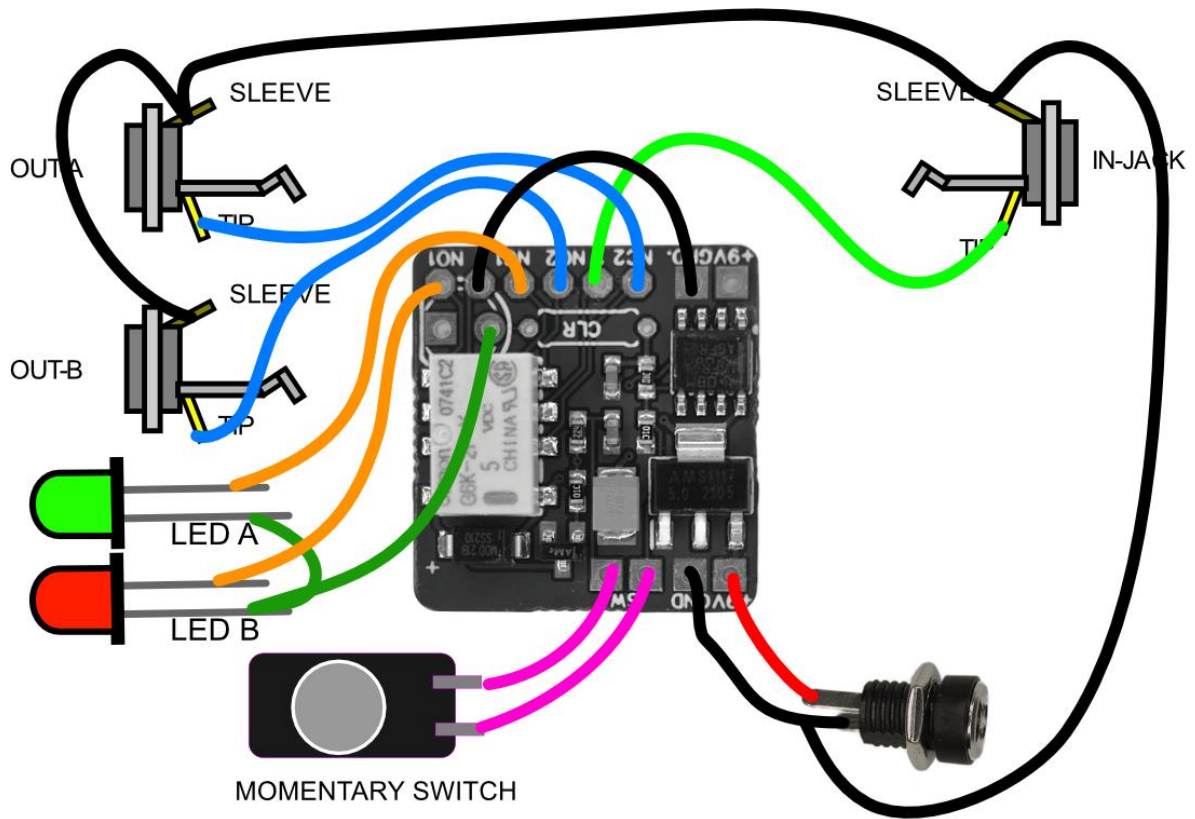


Example wiring(s)

A/B switch with inactive grounded OUT (LED indicates "B" active)



A/B switch with inactive open OUT



Disclaimer & License

This module can be used in commercial builds as long as the logo and screenprint on the board is clearly visible and has not been removed or otherwise obfuscated!